

Remote Control System

Features

- Up to 100metres Range
- 1 – 3 Button versions
- 12-30Vdc or 230Vac versions
- Reliable FM Technology
- Four 1000W Changeover Relay Contacts
- Waterproof Receiver (IP68)
- Momentary or Latching Relays
- Any Switch Map to Any Relay Output
- CE / FCC Compliant

Applications

- General Purpose Remote Switching
- Electric Gates
- Roller Shutter Doors
- Garden Lighting



Description

Supplied complete ready to operate without any user configuration required. The HORNET is a rugged IP68 weatherproof remote control system. Built in mounting points and easy wiring using High Quality screw Terminals.

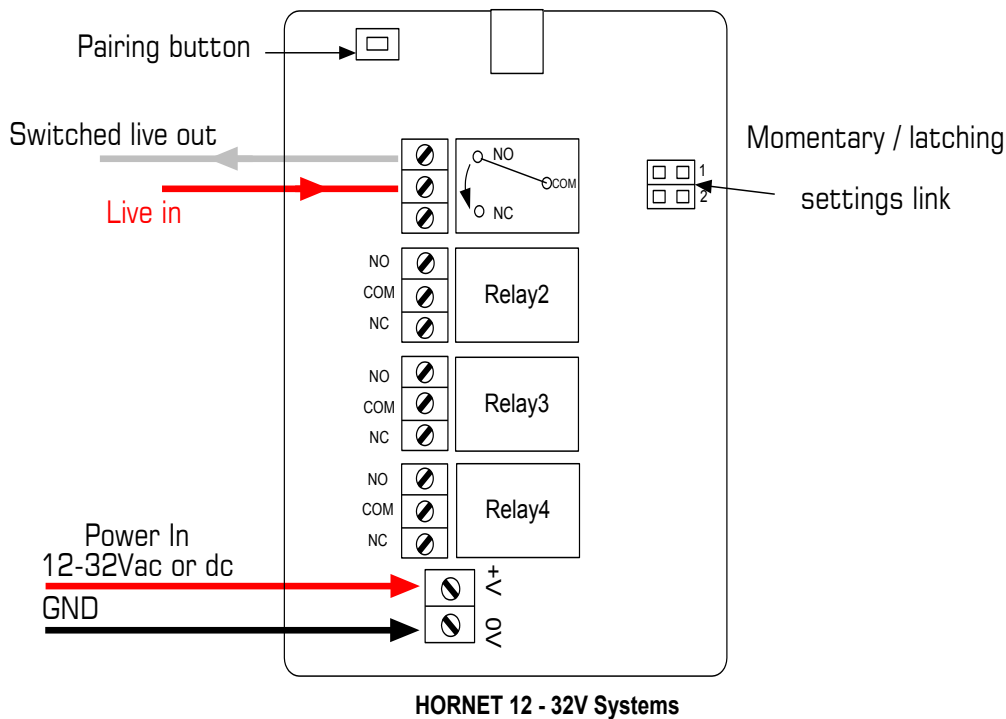
With a range of up to 100m the HORNET is ideal for a wide variety of switching applications.

Additional transmitters may be added using the 'learn' process, any button on the transmitter can be used to control one or many outputs of the receiver.

HORNET-S1 / HORNET-S2 / HORNET-S3 (12-32Vdc Receivers)

The HORNET system is supplied ready to use straight out of the box. No Configuration is required.

1. Open the enclosure by removing the two fixing screws from the base of the enclosure and remove the antenna, the circuit board will then slide out.
2. Wire the power as shown below
3. Wire your chosen relay output switch as required
4. Once the receiver is set-up; transmitter button 1 will switch relay 1 (button two to relay two and so on). Each button press will change the state of the relay (i.e. one press for on, one press for off).



Configuring Output Relays Momentary or Latching

These are set by the Jumper Links

Momentary = operates as long as transmitter is operated

Latching = Relay changes state each time transmitter is pressed

Link Positions		Relays			
LK1	LK2	RLY 1	RLY 2	RLY 3	RLY 4
Fitted	Fitted	Mom	Mom	Mom	Mom
Fitted	Open	Mom	Mom	Latch	Latch
Open	Fitted	Mom	Latch	Latch	Latch
Open	Open	Latch	Latch	Latch	Latch

Advanced Operation

Please note that the HORNET Systems are provided ready to operate and Pairing a transmitter to a receiver is only required when replacing or adding a new transmitter.

To pair a new transmitter switch follow this procedure

Note!: Any transmitter button can be configured to operate any of the receiver relays.

1. Select the receiver output relay to learn to:
2. Briefly press the receiver Pairing switch (S2) once
3. The Learn LED will flash once to indicate relay 1 is selected
4. After the LED stops flashing, press the Learn switch again to select the next relay channel
5. Repeat step 4 until the required relay is selected.
6. Press the button on the transmitter you want to learn to the chosen relay.
7. The Learn LED will flash to indicate Pairing is complete.

Pairing a Transmitter to a Receiver

The only limitation is that each receiver has a maximum memory for up to 30 pairings, these can be from the same or any number of transmitters.

Erasing Receivers Memory

1. Press and hold the receiver Learn Switch for approx 10 seconds.
2. When the Learn LED turns ON all memory is erased

NOTE: You cannot erase individual Tx encoders

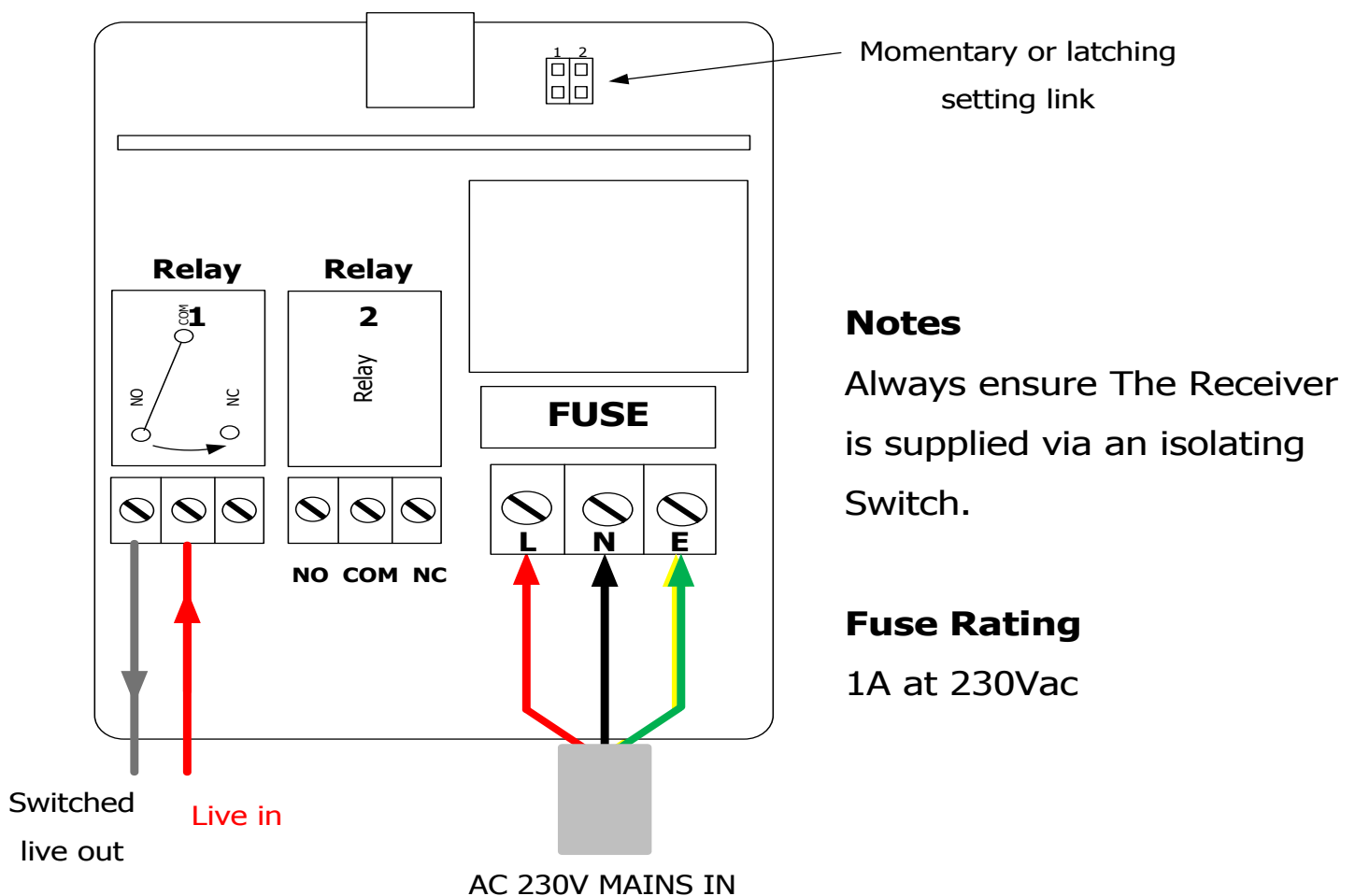
HORNET-S1M / HORNET S2M (230Vac Powered Receivers)

The HORNET system provides up to 2 isolated switches each capable of switching up to 6A @230V continuous (12A peak)

1. Open the enclosure by removing the two fixing screws from the base of the enclosure and the antenna, the board should then slide out.
2. Wire the power as shown on Fig 1.2
3. Wire your chosen switch as required
4. Once the receiver is set-up transmitter button 1 will switch relay 1 (button two relay two and so on). Each button will change the state of the relay (i.e. one press for on, one press for off).

Warning!

The Receiver unit is designed to be a fixed installation, connected to a mains supply. Before removing the cover ensure that the mains input supply is removed. Any operation of the product that involves removal of the cover should only be carried out by a competent person or qualified electrician.



Advanced Operation

Please Note: During Learn and Erase the relays operate at high speed. They should be isolated from sensitive equipment during this process.

To Pair additional Transmitter buttons to receiver Relay #1

1. Apply power the receiver and wait 10secs for the unit to enter 'normal operation' mode.
2. Switch the receiver unit OFF and then ON again in ~1sec intervals FOUR times finally leaving the unit powered.
3. The receiver emits a continuous 'Click' to confirm it is now in 'learn' Mode
4. Press the chosen transmitter button.
5. The receiver will acknowledge by sounding the a single 'buzz'
6. Learn Process complete.

To Pair additional Transmitter buttons to receiver Relay #2

1. Apply power the receiver and wait 10secs for the unit to enter 'normal operation' mode.
2. Switch the receiver unit OFF and then ON again in ~1sec intervals SIX times finally leaving the unit powered.
3. The receiver emits a continuous 'Click' to confirm it is now in 'learn' Mode
4. Press the chosen transmitter button.
5. The receiver will acknowledge by sounding the two 'buzzes'
6. Learn Process complete.

Erasing Receivers Memory

1. Power the receiver unit up and wait 10 seconds for the unit to enter 'normal operation' mode.
2. Switch the unit off and then on again at ~1 second intervals TEN times, leaving the unit powered.
3. The receiver confirms Erase cycle complete by giving three short 'Buzzes'
4. The unit has now erased all encoder data.

NOTE: You cannot erase individual Tx encoders

Configuring Receiver Relays

The jumper links set the outputs to be Momentary (operates as long as transmitter is operated) or Latching (Relay changes state each time transmitter is pressed).

The jumper links are made/removed by the small link 'cap' placed over the pin header.

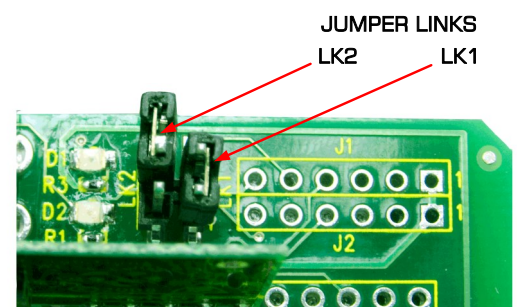
Link1 controls relay Output #1

Link2 controls relay Output #2

Link FITTED = MOMENTARY

Link OPEN = LATCHING

Image shows, RLY1 Momentary,
RLY2 Latching.



System Part Numbers

Operating from 12-30Vdc



Part Number	Description	Frequency (MHz)	Range** (Metres)
HORNET-S1	System 1 channel	433.92	100
HORNET-S2	System 2 channel	433.92	100
HORNET-S3	System 3 channel	433.92	100

**Range stated is optimum, direct line of sight. In worst conditions this can be reduced by over 50%

Part Number	Description	Frequency (MHz)	Range** (Metres)
HORNET-S1M	System 1 channel	433.92	100
HORNET-S2M	System 2 channel	433.92	100

**Range stated is optimum, direct line of sight. In worst conditions this can be reduced by over 50%

Additional Transmitters

Operating at 230Vac



Part Number	Description
HORNET-TX1	Transmitter 1 switch
HORNET-TX2	Transmitter 2 switch
HORNET-TX3	Transmitter 3 switch
HORNET -TX-IPKIT	'O' Ring, Seals Transmitter to IP65

Bespoke Versions

Custom versions available with your own logo and or protocol.

Please contact Sales for further info.



Low Battery Indication

When the battery on the HORNET-TX becomes low (<2.1V) the LED will indicate this by pulsing on and off and one second intervals. The battery should be changed at this point. When the battery reaches this level the HORNET-TX may continue to operate but the range will be reduced and the LED will dim.

Technical Specifications

Transmitters: HORNET

Enclosure Rating: Standard(TBA) With IP Kit **IP65**

Battery Type: **CR2032** Revision 2 - Post May 2010

GP23AE Revision 1 - Pre May 2010

Battery Life Est.3 Years (Calculated as 50 operations per day)

Dimensions: 66 x 36 x 17mm

Changing Batteries: Remove Two fixing screws, remove battery and replace, note polarity!

Electrical Characteristics	Min	Typical	Max	Units
Supply Voltage (Rev1)		3 (12)		V
Supply Current (transmitting)		0.47 (16)		uA (mA)
Frequency:	432.90	433.920	434.10	MHz
RF Output Power (ERP) @ 433 MHz	-	3		mW
Packet length		68		ms

Transmitter FCC Notice

This device complies with part 15 of the FCC rules.

Operation is subject to the following two conditions.

- This device may not cause harmful interference AND
- This device must accept any interference received including interference that may cause undesirable operation.

Warning to user

Changes or modifications not expressly approved by the party responsible for compliance could void the user's authority to operate the equipment.

FCC NOTE

This equipment has been tested and found to comply with the limits for a Class B digital device, pursuant to part 15 of the FCC Rules. These limits are designed to provide reasonable protection against harmful interference in a residential installation.

This equipment generates, uses and can radiate radio frequency energy and, if not installed and used in accordance with the instructions, may cause harmful interference to radio communications. However, there is no guarantee that interference will not occur in a particular installation. If this equipment does cause harmful interference to radio or television reception, which can be determined by turning the equipment off and on, the user is encouraged to try to correct the interference by one or more of the following measures:

- Reorient or relocate the receiving antenna.
- Increase the separation between the equipment and receiver.
- Connect the equipment into an outlet on a circuit different from that to which the receiver is connected.
- Consult the dealer or an experienced radio/TV technician for help.

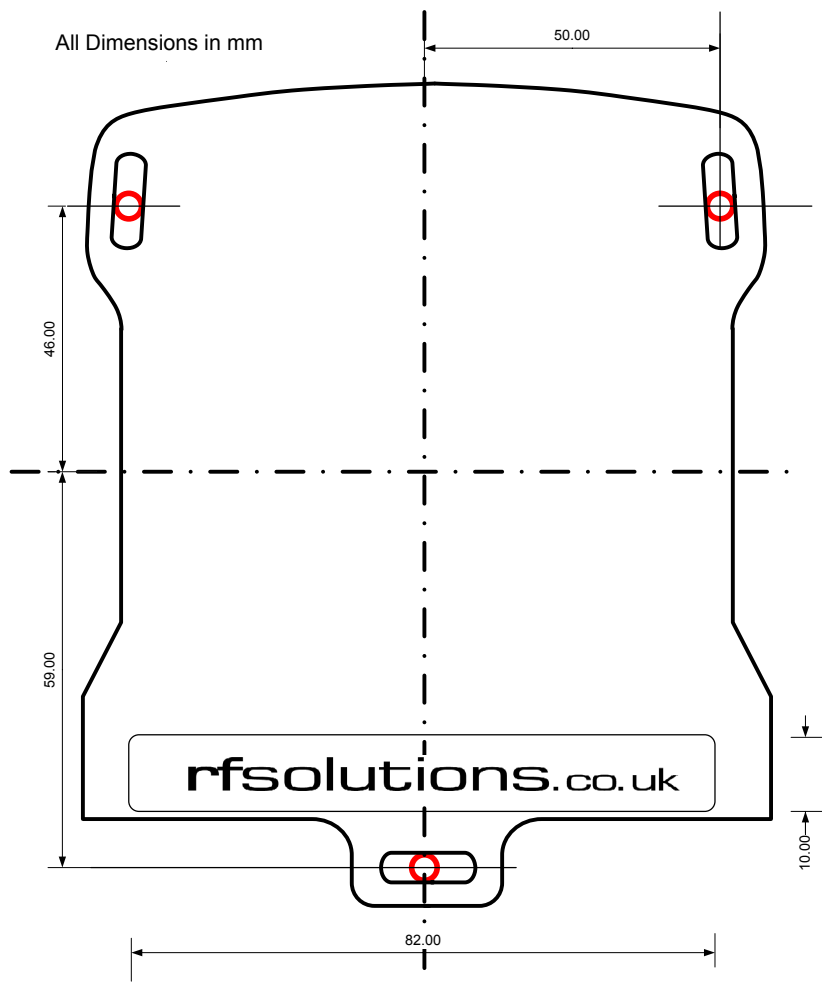
Receiver Decoder HORNET-RX

Enclosure Rating IP68
 Dimensions 130 x 112 x 42 mm (not including antenna)
 Storage Temperature: -10 to +70°Celsius. Operating Temperature: -10 to +50°Celsius.

ELECTRICAL CHARACTERISTICS	Min	Typical	Max	Units
Supply Voltage for 12-30V versions	10.5	12	30	Vdc
Supply Voltage for Mains versions		230		Vac
Relay Rating* (230Vac) RLY1-4		5(rms)	12(peak)	A
Supply Current : Quiescent @12V All relays operating*		10 140		mA
Supply Current @ 230V		~13		mA
Time delay from Tx on Switch to Rx Relay operation			100	mS
Time delay from Tx sw relax to Rx Relay release			300	mS

*The relay contacts in this unit are for functional use only and must not be used for isolation purposes

Installation diagram



RF Solutions Ltd. Recycling Notice

Meets the following EC Directives:

DO NOT



Discard with normal waste, please recycle.



ROHS Directive 2002/95/EC

Specifies certain limits for hazardous substances.

WEEE Directive 2002/96/EC

Waste electrical & electronic equipment. This product must be disposed of through a licensed WEEE collection point. RF Solutions Ltd., fulfills its WEEE obligations by membership of an approved compliance scheme.

Disclaimer

Whilst the information in this document is believed to be correct at the time of issue, R.F.Solutions Ltd does not accept any liability whatsoever for its accuracy, adequacy or completeness. No express or implied warranty or representation is given relating to the information contained in this document. R.F.Solutions Ltd reserves the right to make changes and improvements to the product(s) described herein without notice. Buyers and other users should determine for themselves the suitability of any such information or products for their own particular requirements or specification(s). R.F.Solutions Ltd shall not be liable for any loss or damage caused as a result of user's own determination of how to deploy or use R.F.Solutions Ltd's products. Use of R.F.Solutions Ltd products or components in life support and/or safety applications is not authorised except with express written approval. No licences are created, implicitly or otherwise, under any of R.F.Solutions Ltd's intellectual property rights. Liability for loss or damage resulting or caused by reliance on the information contained herein or from the use of the product (including liability resulting from negligence or where R.F.Solutions Ltd was aware of the possibility of such loss or damage arising) is excluded. This will not operate to limit or restrict R.F.Solutions Ltd's liability for death or personal injury resulting from its negligence.

www.rfsolutions.co.uk

RF Solutions Ltd

William Alexander House, William Way, Burgess Hill, West Sussex, RH15 9AG
Sales: +44(0)1444 227 910 Tech Support: +44(0)1444 227909

Waste Batteries and Accumulators

Directive 2006/66/EC

Where batteries are fitted, before recycling the product, the batteries must be removed and disposed of at a licensed collection point.

Environment Agency producer registration number: WEE/JB0104WV.