

THIS DRAWING IS UNPUBLISHED.
 VERTRAULICHE UNVERÖFFENTLICHTE ZEICHNUNG
 © COPYRIGHT 2000 BY TE INCORPORATED

RELEASED FOR PUBLICATION
 FREI FUER VERÖFFENTLICHUNG
 ALL RIGHTS RESERVED.
 ALLE RECHTE VORBEHALTEN

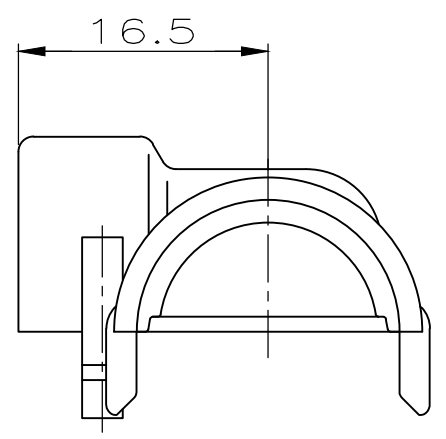
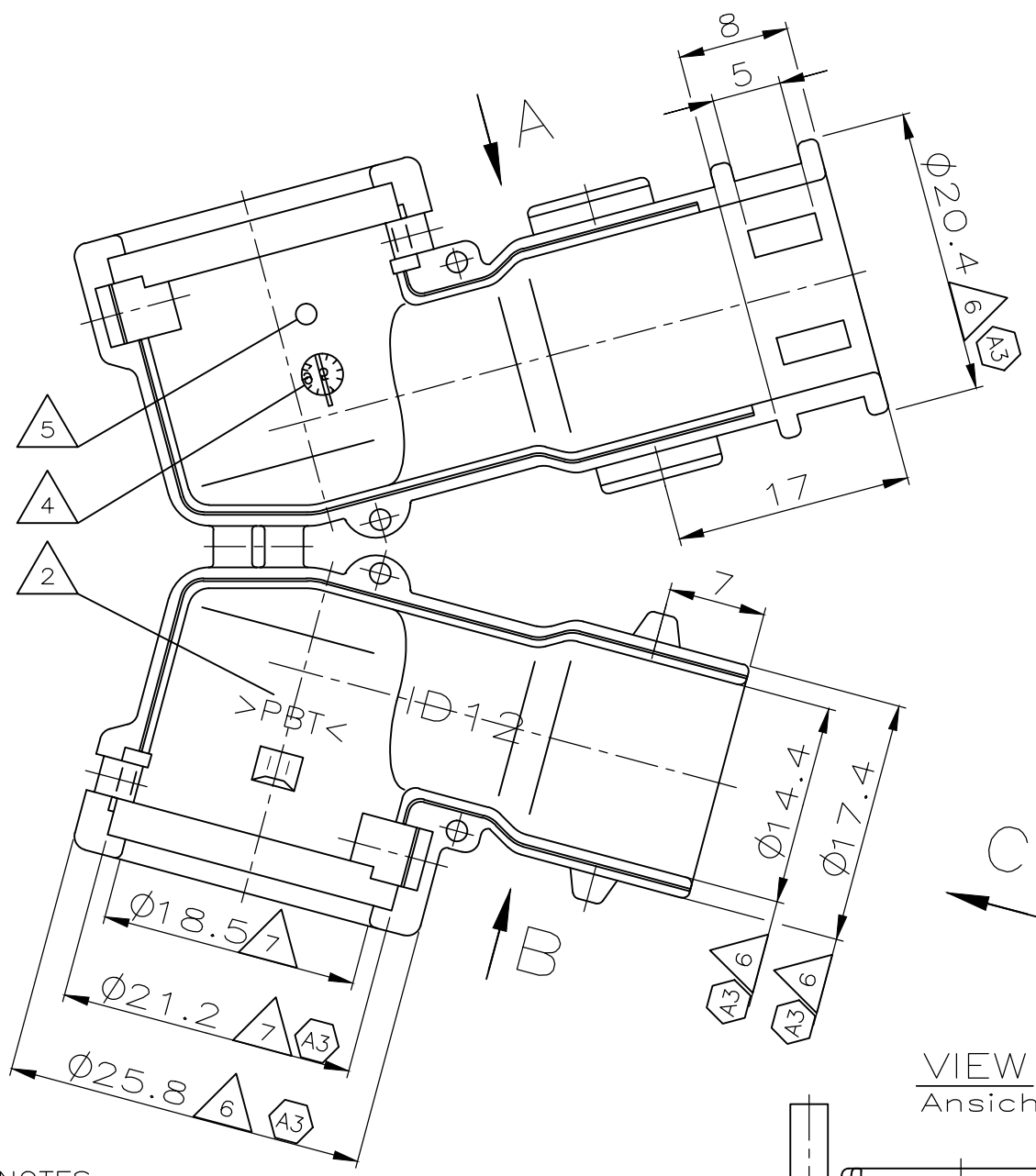
,2000.

MATED WITH :
 PASSEND ZU :
 967402,967325

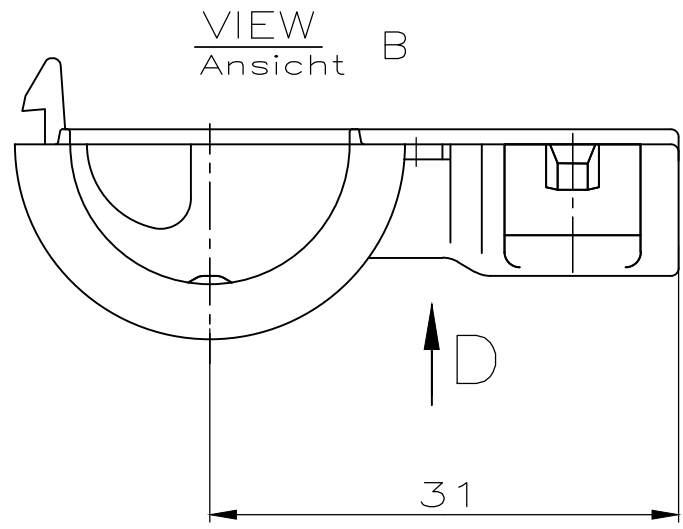
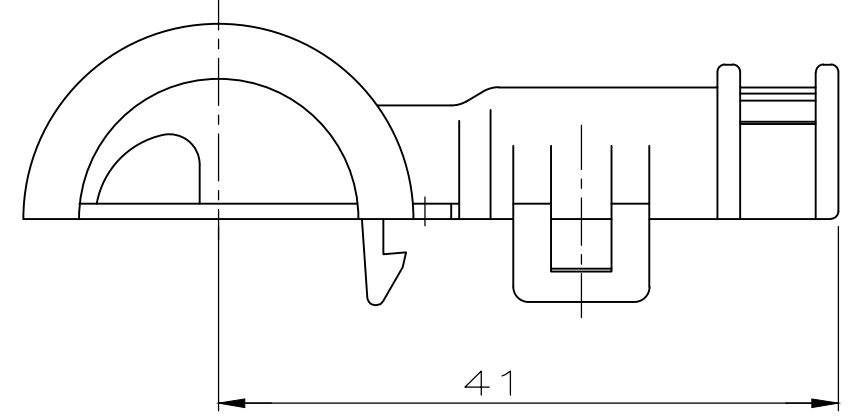
PROJEKT NR.:
 EGAUT00428

REVISIONS
 AENDERUNGEN

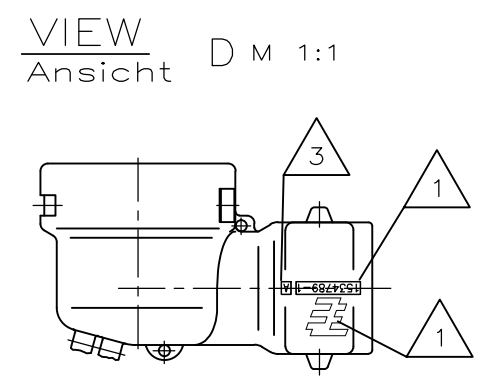
| P | LTR | DESCRIPTION BESCHREIBUNG | DATE | DWN | APVD |
|----|-----|--|-----------|----------|------|
| A1 | | NOTE 6 AND 7 ADDED, POS. PROD. DATE AND CAVITY MARK. CHANGED Note 6 und 7 hinzu, Pos. Prod.datum und Nestmarkierung geaendert | 08NOV2002 | C.Goetz | — |
| A2 | | DETAILS SEE PCN E-10-006091 | 25MAR2010 | S.Jaeger | — |
| A3 | | PCN : E-16-008589 | 09JUN2016 | GCM | JG |



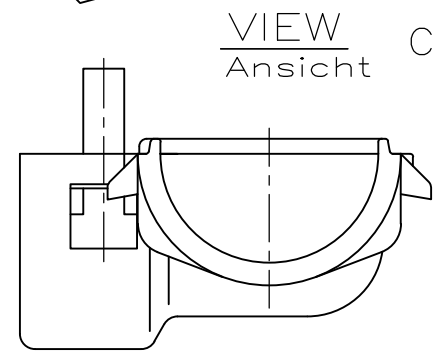
VIEW A
 Ansicht A



VIEW B
 Ansicht B



VIEW D M 1:1
 Ansicht D M 1:1



VIEW C
 Ansicht C

PN 1534789-1 AS SHOWN
 wie gezeigt

NOTES
 Bemerkungen

- 1 TE Connectivity (TE) LOGO AND NUMBER
TE Connectivity (TE) Logo und Nummer
- 2 MATERIAL MARKING
Werkstoffkennzeichnung
- 3 REVISION OF THE MOULD
Werkzeugaenderungsindex
- 4 PRODUCTION DATE
Produktionsdatum
- 5 CAVITY MARKING
Nestmarkierung
- 6 WARPAGE FROM NOM. DIM. UP TO -1 ALLOWED
Verzug vom Nennmass bis -1 erlaubt
- 7 WARPAGE FROM NOM. DIM. UP TO -0.5 ALLOWED
Verzug vom Nennmass bis -0.5 erlaubt

| | | | | | | | | | | | | | | | | | | | | | | | |
|--|-----|-------------------------------|--|--------------------|-----------------------------|-----|---|---|-----|---|---|-----|---|---|-----|---|-----------------|--|------|--------------------------------|---|--|--|
| THIS DRAWING IS A CONTROLLED DOCUMENT. DIESE ZEICHNUNG IST EIN KONTROLLIERTES DOKUMENT. | | DWN C. Goetz 06NOV2000 | TE Connectivity | | | | | | | | | | | | | | | | | | | | |
| DIMENSIONS: MASSE/HEITEN: mm | | CHK R. Kapp 06NOV2000 | | | | | | | | | | | | | | | | | | | | | |
| TOLERANCES UNLESS OTHERWISE SPECIFIED: ALLGEMEINTOLERANZEN n. ISO 8015 | | APVD J. Hass 06NOV2000 | NAME ADAPTER 90 DEGREE, 4/7POS. Adapter 90°, 4/7pol. | | | | | | | | | | | | | | | | | | | | |
| <table border="0"> <tr><td>0</td><td>PLQ</td><td>±</td></tr> <tr><td>1</td><td>PLC</td><td>±</td></tr> <tr><td>2</td><td>PLC</td><td>±</td></tr> <tr><td>3</td><td>PLC</td><td>±</td></tr> <tr><td>4</td><td>PLQ</td><td>±</td></tr> <tr><td colspan="2">ANGLES / WINKEL</td><td>± 2°</td></tr> </table> | | 0 | PLQ | ± | 1 | PLC | ± | 2 | PLC | ± | 3 | PLC | ± | 4 | PLQ | ± | ANGLES / WINKEL | | ± 2° | PRODUCT SPEC 108-18621/-622 | DRAWING NO ZEICHNUNGS-NR. G-1534789 | | |
| 0 | PLQ | ± | | | | | | | | | | | | | | | | | | | | | |
| 1 | PLC | ± | | | | | | | | | | | | | | | | | | | | | |
| 2 | PLC | ± | | | | | | | | | | | | | | | | | | | | | |
| 3 | PLC | ± | | | | | | | | | | | | | | | | | | | | | |
| 4 | PLQ | ± | | | | | | | | | | | | | | | | | | | | | |
| ANGLES / WINKEL | | ± 2° | | | | | | | | | | | | | | | | | | | | | |
| MATERIAL PBT | | APPLICATION SPEC 114-18255 | SIZE A3 | CAGE CODE 00779 | RESTRICTED TO NUR FUER — | | | | | | | | | | | | | | | | | | |
| FINISH / OBERFLAECHE / FARBE BLACK / schwarz | | WEIGHT ca. 7.5g | SCALE MASSTAB 2:1 | | | | | | | | | | | | | | | | | | | | |
| CUSTOMER DRAWING / KUNDENZEICHNUNG | | | SHEET BLATT 1 OF VON 1 | | REV A3 | | | | | | | | | | | | | | | | | | |