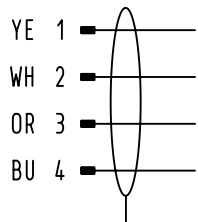
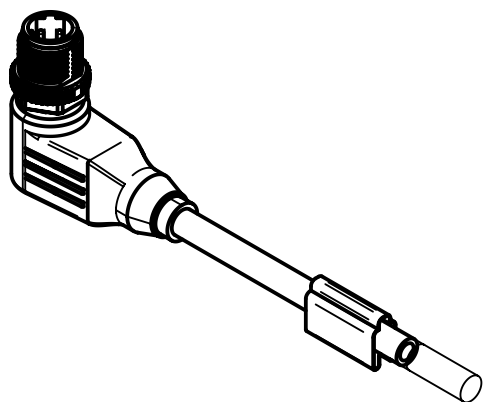
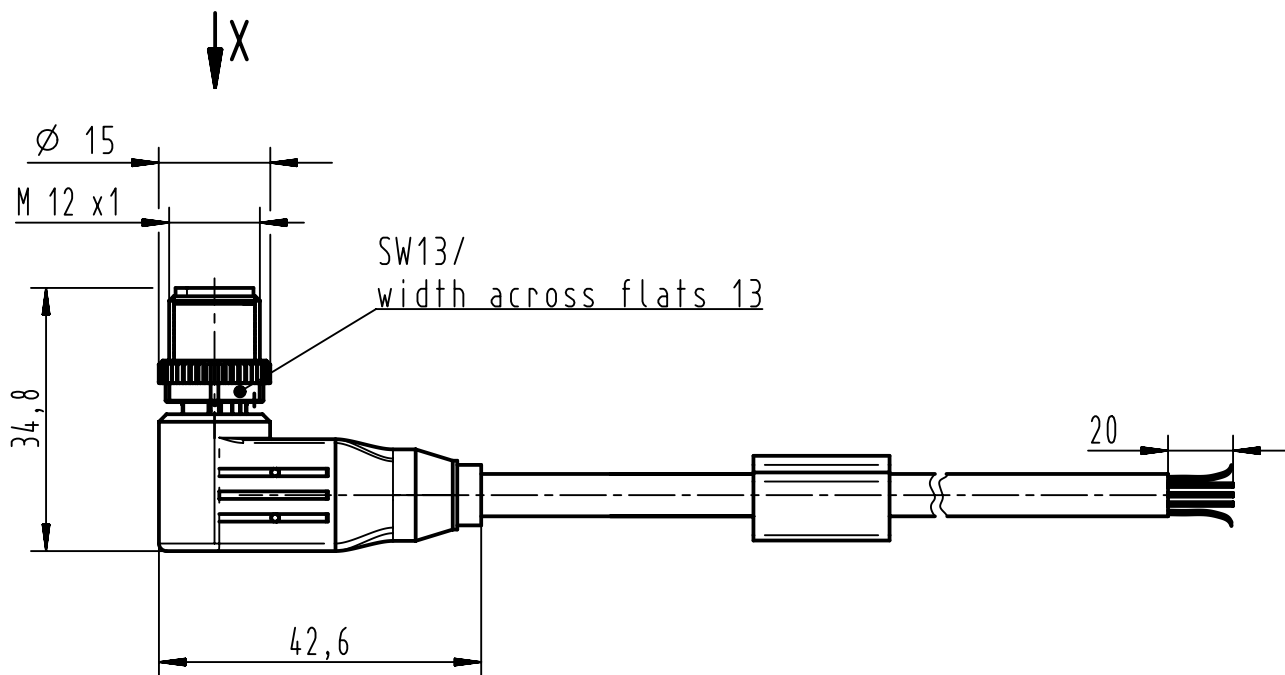





Schematic diagram



Connector frame



	All rights reserved Department EC PD - DE	All Dimensions in mm Original Size DIN A4		Scale 1:1	Free size tol.	Ref. Sub.
		HARTING Electronics GmbH D-32339 Espelkamp	Created by DRAGHICI	Inspected by STOICA	Standardisation HOFFMANN	Date 2012-09-27
Title M12 circular connector, AWG22, D-coded						Doc-Key / ECM-Nr. 100177528/UGD/005/B 500000055625
Type TB				Number 21035853400		Rev. B
						Page 1/2

	1	2	3	4	5	6																																		
A																																								
B	12	21035853440	HARTING/ 21035853440/ Fertigungscode/ Made in Germany			40000 ± 1,5%																																		
	11	21035853425	HARTING/ 21035853425/ Fertigungscode/ Made in Germany			25000 ± 1,5%																																		
	10	21035853420	HARTING/ 21035853420/ Fertigungscode/ Made in Germany			20000 ± 1,5%																																		
	9	21035853415	HARTING/ 21035853415/ Fertigungscode/ Made in Germany			15000 ± 1,5%																																		
	8	21035853410	HARTING/ 21035853410/ Fertigungscode/ Made in Germany			10000 ± 1,5%																																		
	7	21035853457	HARTING/ 21035853457/ Fertigungscode/ Made in Germany			7500 ± 1,5%																																		
	6	21035853407	HARTING/ 21035853407/ Fertigungscode/ Made in Germany			7000 ± 1,5%																																		
	5	21035853405	HARTING/ 21035853405/ Fertigungscode/ Made in Germany			5000 ± 1,5%																																		
	4	21035853403	HARTING/ 21035853403/ Fertigungscode/ Made in Germany			3000 + 100																																		
	3	21035853402	HARTING/ 21035853402/ Fertigungscode/ Made in Germany			2000 + 100																																		
	2	21035853451	HARTING/ 21035853451/ Fertigungscode/ Made in Germany			1500 + 100																																		
	1	21035853401	HARTING/ 21035853401/ Fertigungscode/ Made in Germany			1000 + 50																																		
C	Cont no.	Part no.	Cable printing			Nominal length [L]																																		
D	<table border="1"> <tr> <td rowspan="2">  </td> <td colspan="2">All Dimensions in mm Original Size DIN A4</td> <td>Scale 1:1</td> <td colspan="2">Free size tol.</td> <td>Ref.</td> </tr> <tr> <td colspan="2">All rights reserved</td> <td>Created by DRAGHICI</td> <td>Inspected by STOICA</td> <td>Standardisation HOFFMANN</td> <td>Date 2012-09-27</td> </tr> <tr> <td colspan="2">Department EC PD - DE</td> <td colspan="3">Title M12 circular connector, AWG22, D-coded</td> <td colspan="2">State Final Release</td> </tr> <tr> <td colspan="2">HARTING Electronics GmbH D-32339 Espelkamp</td> <td>Type TB</td> <td colspan="2">Number 21035853400</td> <td colspan="2">Doc-Key / ECM-Nr. 100177528/UGD/005/B</td> </tr> <tr> <td colspan="2"></td> <td colspan="2"></td> <td>Rev. B</td> <td colspan="2">Page 2/2</td> </tr> </table>							All Dimensions in mm Original Size DIN A4		Scale 1:1	Free size tol.		Ref.	All rights reserved		Created by DRAGHICI	Inspected by STOICA	Standardisation HOFFMANN	Date 2012-09-27	Department EC PD - DE		Title M12 circular connector, AWG22, D-coded			State Final Release		HARTING Electronics GmbH D-32339 Espelkamp		Type TB	Number 21035853400		Doc-Key / ECM-Nr. 100177528/UGD/005/B						Rev. B	Page 2/2	
	All Dimensions in mm Original Size DIN A4		Scale 1:1	Free size tol.		Ref.																																		
	All rights reserved		Created by DRAGHICI	Inspected by STOICA	Standardisation HOFFMANN	Date 2012-09-27																																		
Department EC PD - DE		Title M12 circular connector, AWG22, D-coded			State Final Release																																			
HARTING Electronics GmbH D-32339 Espelkamp		Type TB	Number 21035853400		Doc-Key / ECM-Nr. 100177528/UGD/005/B																																			
				Rev. B	Page 2/2																																			